

>> 1/2HP MOTOR PUMP KUP-45-SERIES

- >Motor Power: 1/2 HP
- >Max Operating Pressure: 700bar
- >Voltage: 220V 1ph 50/60Hz
- >Reservoir Capacity: 2-4 liters
- Light weight, easy to carry for maximum portability.
- Enable to maximize the efficiency of work.
- Can be applied to load of around 100ton.
- Enable to be used for Hydraulic tools.

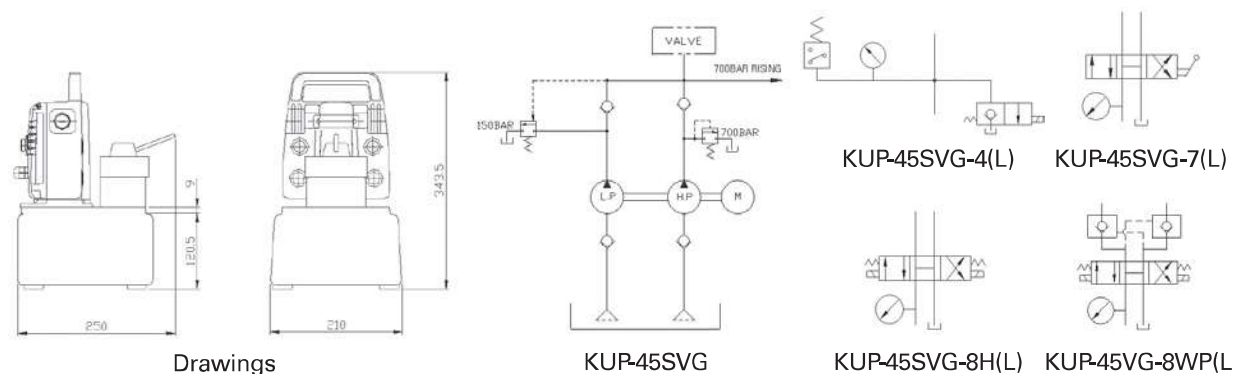


>Specification

Model	Flow Rate (l/min)		Pressure Rating (bar)		Reservoir Capacity (liter)	Weight (kg)
	Low	High	Low	High		
KUP-45SVG(L)	2.5	0.35	70	700	2	18
					4(L)	20(L)

>Features and function of each model

Model	Function	Weight (kg)	
Single Acting KUP-45SVG-4(L)	A singled-acting cylinder is actuated by solenoid valve. "Advance" with ON switch depressed and the motor running. "Retract" with the switch released and the motor stops.	17.2	
Double Acting	KUP-45SVG-7(L)	A double-acting cylinder is actuated by 4 way manual valve.	16.1
	KUP-45SVG-8H(L)	A double-acting cylinder is actuated by solenoid valve. The cylinder can not be stopped, and pressure can not be hold.	18.5
	KUP-45SVG-8WP(L)	A double-acting cylinder is actuated by solenoid valve. Advance/ "A" port Hold/Retract with stacking type pilot-operated check valve fitted on "A" port line. It allows pressure holding on both "A" and "B" port lines.	19



>> 1-5HP MOTOR PUMP KUPS-SERIES

- >Motor Power: 1, 2, 3, 5 HP
- >Max Operating Pressure: 700bar
- >Voltage: 220V 3ph 50/60Hz
- >Reservoir Capacity: 4-10 liters
- Can be used for industrial purpose.
- Various models can be used with the most of hydraulic tools.
- Quite smooth operation (80dB)
- We guarantee the best quality.



>Specification

Model	Power	Flow Rate (l/min)		Pressure Rating (bar)		Power (liter)	Weight (kg)
		Low	High	Low	High		
kup-753	1HP	4.5	0.6	70	700	10	50
kup-1503	2HP	13	1.05	70	700	15	85
kup-2203	3HP	13	1.7	70	700	15	85
kup-3503	5HP	9	3	70	700	10	68

>Features and function of each model

Model	Function	
Single Acting KUP-HG-4(L)	A singled-acting cylinder is actuated by solenoid valve. "Advance" with ON switch depressed and the motor running. "Retract" with the switch released and the motor stops.	
Double Acting	KUP-HG-7(L)	A double-acting cylinder is actuated by 4 way manual valve.
	KUP-HG-8H(L)	A double-acting cylinder is actuated by solenoid valve. The cylinder can not be stopped, and pressure can not be hold.
	KUP-HG-8WP(L)	A double-acting cylinder is actuated by solenoid valve. Advance/ "A" port Hold/ Retract with stacking type pilot-operated check valve fitted on "A" port line. It allows pressure holding on both "A" and "B" port lines.

