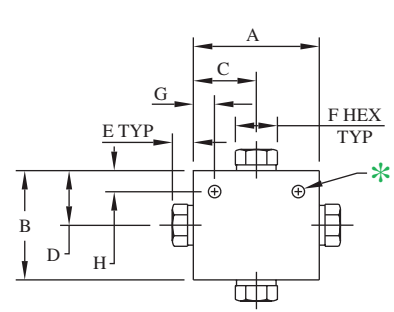
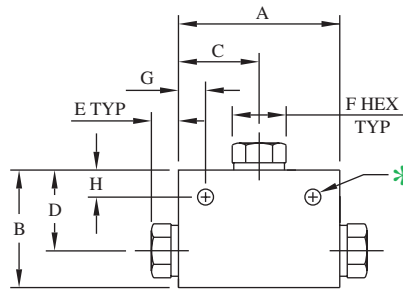
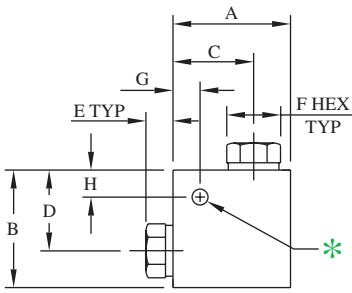


# LOW PRESSURE EQUIPMENT



## ELBOWS

Catalog Number	Connection	Port	MAWP	A	B	C	D	E	F	Block Thickness	Mounting Holes*		
											G	H	Dia.
LPL1	1/16" L/P Tube	0.042" (1.1)	15,000 PSI 1030 bar	1.00" (25.4)	1.00" (25.4)	0.75" (19.1)	0.75" (19.1)	0.31" (7.9)	0.50" (12.7)	0.50" (12.7)	0.30" (7.6)	0.31" (7.9)	0.21" (5.3)
LPL2	1/8" L/P Tube	0.094" (2.4)	15,000 PSI 1030 bar	1.00" (25.4)	1.00" (25.4)	0.75" (19.1)	0.75" (19.1)	0.31" (7.9)	0.50" (12.7)	0.50" (12.7)	0.30" (7.6)	0.31" (7.9)	0.21" (5.3)
LPL4	1/4" SL/P Tube	0.187" (4.7)	11,500 PSI 790 bar	1.19" (30.2)	1.19" (30.2)	0.88" (22.4)	0.88" (22.4)	0.56" (14.2)	0.81" (20.6)	0.62" (15.7)	0.31" (7.9)	0.31" (7.9)	0.22" (5.6)
LPL6	3/8" SL/P Tube	0.250" (6.4)	7,500 PSI 520 bar	1.38" (35.1)	1.38" (35.1)	1.00" (25.4)	1.00" (25.4)	0.62" (15.7)	0.81" (20.6)	0.75" (19.1)	0.31" (7.9)	0.31" (7.9)	0.28" (7.1)
LPL8	1/2" L/P Tube	0.437" (11.1)	5,500 PSI 380 bar	1.75" (44.5)	1.75" (44.5)	1.25" (31.8)	1.25" (31.8)	0.53" (13.5)	0.75" (19.1)	1.00" (25.4)	0.50" (12.7)	0.50" (12.7)	0.28" (7.1)

## TEES

Catalog Number	Connection	Port	MAWP	A	B	C	D	E	F	Block Thickness	Mounting Holes*		
											G	H	Dia.
LPT1	1/16" L/P Tube	0.042" (1.1)	15,000 PSI 1030 bar	1.50" (38.1)	1.00" (25.4)	0.75" (19.1)	0.75" (19.1)	0.31" (7.9)	0.50" (12.7)	0.62" (15.7)	0.30" (7.6)	0.31" (7.9)	0.21" (5.3)
LPT2	1/8" L/P Tube	0.094" (2.4)	15,000 PSI 1030 bar	1.50" (38.1)	1.00" (25.4)	0.75" (19.1)	0.75" (19.1)	0.31" (7.9)	0.50" (12.7)	0.62" (15.7)	0.30" (7.6)	0.31" (7.9)	0.21" (5.3)
LPT4	1/4" SL/P Tube	0.187" (4.7)	11,500 PSI 790 bar	1.75" (44.5)	1.19" (30.2)	0.88" (22.4)	0.88" (22.4)	0.56" (14.2)	0.81" (20.6)	0.62" (15.7)	0.25" (6.4)	0.25" (6.4)	0.28" (7.1)
LPT6	3/8" SL/P Tube	0.250" (6.4)	7,500 PSI 520 bar	2.00" (50.8)	1.38" (35.1)	1.00" (25.4)	1.00" (25.4)	0.62" (15.7)	0.81" (20.6)	0.75" (19.1)	0.31" (7.9)	0.31" (7.9)	0.28" (7.1)
LPT8	1/2" L/P Tube	0.437" (11.1)	5,500 PSI 380 bar	2.50" (63.5)	1.75" (44.5)	1.25" (31.8)	1.25" (31.8)	0.53" (13.5)	0.75" (19.1)	1.00" (25.4)	0.50" (12.7)	0.50" (12.7)	0.28" (7.1)

## CROSSES

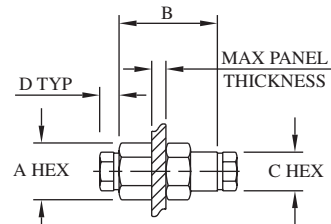
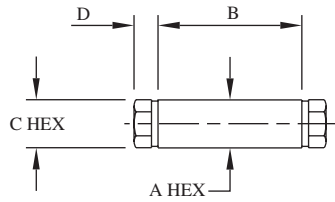
Catalog Number	Connection	Port	MAWP	A	B	C	D	E	F	Block Thickness	Mounting Holes*		
											G	H	Dia.
LPX1	1/16" L/P Tube	0.042" (1.1)	15,000 PSI 860 bar	1.38" (35.1)	1.50" (38.1)	0.69" (17.5)	0.75" (19.1)	0.31" (7.9)	0.50" (12.7)	0.62" (15.7)	0.24" (6.1)	0.31" (7.9)	0.21" (5.3)
LPX2	1/8" L/P Tube	0.094" (2.4)	15,000 PSI 860 bar	1.38" (35.1)	1.50" (38.1)	0.69" (17.5)	0.75" (19.1)	0.31" (7.9)	0.50" (12.7)	0.62" (15.7)	0.24" (6.1)	0.31" (7.9)	0.21" (5.3)
LPX4	1/4" SL/P Tube	0.187" (4.7)	11,500 PSI 790 bar	1.75" (44.5)	1.75" (44.5)	0.88" (22.4)	0.88" (22.4)	0.56" (14.2)	0.81" (20.6)	0.62" (15.7)	0.25" (6.4)	0.25" (6.4)	0.21" (5.3)
LPX6	3/8" SL/P Tube	0.250" (6.4)	7,500 PSI 520 bar	2.00" (50.8)	2.00" (50.8)	1.00" (25.4)	1.00" (25.4)	0.62" (15.7)	0.81" (20.6)	0.75" (19.1)	0.31" (7.9)	0.38" (9.7)	0.28" (7.1)
LPX8	1/2" L/P Tube	0.437" (11.1)	5,500 PSI 380 bar	2.50" (63.5)	2.50" (63.5)	1.25" (31.8)	1.25" (31.8)	0.53" (13.5)	0.75" (19.1)	1.00" (25.4)	0.50" (12.7)	0.50" (12.7)	0.28" (7.1)

\*Mounting holes provided when the catalog number is suffixed by "-MH" when ordering.

All dimensions are for reference only and are subject to change.  
Dimensions in parentheses are millimeters (mm)



# LOW PRESSURE EQUIPMENT



See bulkhead table below  
for panel hole drill size

## COUPLINGS

Catalog Number	Connection	Port	MAWP	A	B	C	D
LPC1	1/16" L/P Tube	0.042" (1.1)	15,000 PSI 1030 bar	0.50" (12.7)	1.25" (31.8)	0.50" (12.7)	0.31" (7.9)
LPC2	1/8" L/P Tube	0.094" (2.4)	15,000 PSI 1030 bar	0.50" (12.7)	1.25" (31.8)	0.50" (12.7)	0.31" (7.9)
LPC4	1/4" SL/P Tube	0.187" (4.7)	11,500 PSI 790 bar	0.62" (15.7)	1.62" (41.1)	0.81" (20.6)	0.56" (14.2)
LPC6	3/8" SL/P Tube	0.250" (6.4)	7,500 PSI 520 bar	0.75" (19.1)	1.75" (44.5)	0.81" (20.6)	0.62" (15.7)
LPC8	1/2" L/P Tube	0.437" (11.1)	5,500 PSI 380 bar	1.00" (25.4)	2.00" (50.8)	0.75" (19.1)	0.53" (13.5)

## BULKHEADS

Catalog Number	Connection	Port	MAWP	A	B	C	D	Panel Hole	Panel Thickness
LPBF1	1/16" L/P Tube	0.042" (1.1)	15,000 PSI 1030 bar	0.75" (19.1)	1.75" (44.5)	0.50" (12.7)	0.31" (7.9)	0.62" (15.7)	0.38" (9.7)
LPBF2	1/8" L/P Tube	0.094" (2.4)	15,000 PSI 1030 bar	0.75" (19.1)	1.75" (44.5)	0.50" (12.7)	0.31" (7.9)	0.62" (15.7)	0.38" (9.7)
LPBF4	1/4" SL/P Tube	0.187" (4.7)	11,500 PSI 790 bar	1.00" (25.4)	1.88" (47.8)	0.81" (20.6)	0.56" (14.2)	0.88" (22.4)	0.38" (9.7)
LPBF6	3/8" SL/P Tube	0.250" (6.4)	7,500 PSI 520 bar	1.00" (25.4)	1.88" (47.8)	0.81" (20.6)	0.62" (15.7)	0.88" (22.4)	0.38" (9.7)
LPBF8	1/2" L/P Tube	0.437" (11.1)	5,500 PSI 380 bar	1.38" (35.1)	2.38" (60.5)	0.75" (19.1)	0.53" (13.5)	1.25" (31.8)	0.50" (12.7)



All dimensions are for reference only and are subject to change.  
Dimensions in parentheses are millimeters (mm)