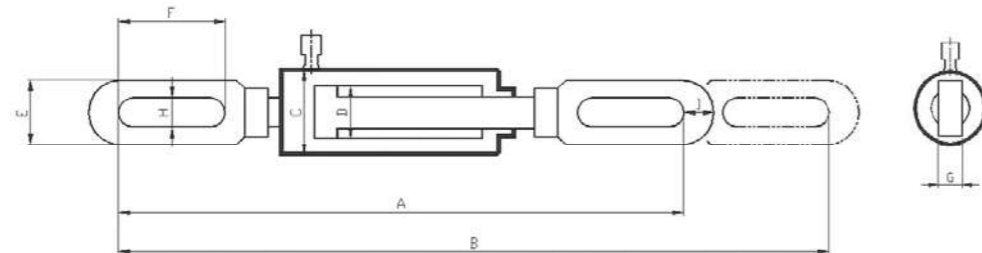


## >> PULLING JACK ESPJ(ESPJA)-SERIES



- >CAPACITY: 10-30 ton
- >STROKE: 150 mm
- >Max Pressure: 700 bar
- Coupler port PT 3/8
- Steel cover nut
- Single acting & Spring return
- Double acting & Bellows & Load return (optional)
- ESPJA Series are using aluminum tube
- Special size is available(optional).



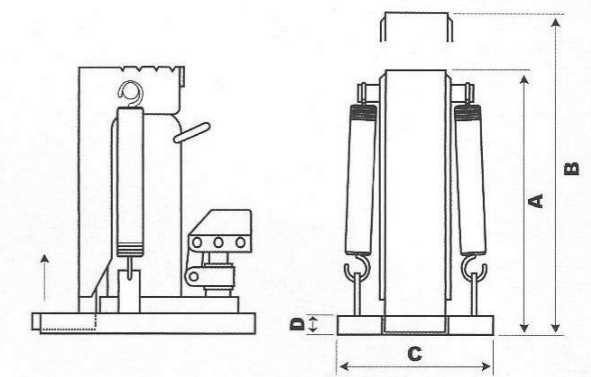
Model	Tonnage (ton)	Stroke (mm)	Oil capacity (cc)	Effective area (cm <sup>2</sup> )	Collapsed Height A (mm)	Extended Height B (mm)	Outside Diameter C (mm)	Cylinder Bore dia D (mm)	Link Height E (mm)	Link Opening F (mm)	Link Thickness G (mm)	Link Width H (mm)	Slot to Link End I (mm)	Weight (kg)
ESPJ-20150	20	150	450	30	720	870	106	80	105	120	30	45	30	32
ESPJ-30150	30	150	639	42.6	745	895	121	95	105	120	30	45	30	35
ESPJA-10150	10	150	243	16.2	679	829	95	60	105	120	30	45	30	15
ESPJA-20150	20	150	450	30	720	870	125	80	105	120	30	45	30	21
ESPJA-30150	30	150	639	42.6	760	910	135	95	105	120	30	45	30	25



## >> TOE JACK EOLJ-SERIES



- >CAPACITY: 5-30 ton
- >STROKE: 120~160 mm
- >Max Pressure: 700 bar
- 4 Standard models
- Spring return



-ENPOS toe jacks are used for variety industries.

Model	Cyl. Capacity (ton)		Stroke (mm)	Dimension (mm)				Weight (kg)
	UP	DOWN		A	B	C	D	
EOLJ-52.5	5	2.5	120	243	363	170 × 230	19	11
EOLJ-105	10	5	150	290	440	188 × 260	22	19.1
EOLJ-2010	20	10	160	327	487	242 × 280	28	33.6
EOLJ-3015	30	15	160	347	507	273 × 308	32	51.2



### HOW TO USE THE TOE JACK

Never exceed the maximum capacity indicated.

Support the top in the center and press to inside edge of the bottom plate.

Keep the stroke less than 60mm when lifting an object from bottom.

Keep the jack on level ground in all times.