

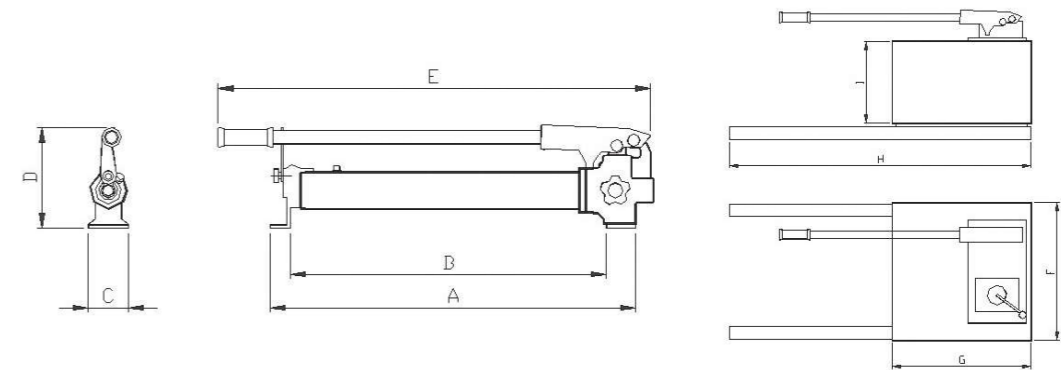
>> 700bar HAND PUMP EJP(EPA)-SERIES

>> HIGH PRESSURE HAND PUMP EHPA-SERIES



ESRA SERIES with EPA-702S is perfect choice for you!
Lightweight, easy to carry and positioning!
At half the weight of steel cylinders of comparable capacity!
Ultra light weight and compact design for easy portability!

- >CAPACITY: 800-10000cc
- >Max Operating Pressure: 700 bar
- >1.8m Hydraulic hose with couplers
- Can be used for double acting cylinder with manual valve.
- EHPA model is for high pressure up to 1500~2800bar.
- Large oil capacity to power a wide range of cylinders or tools.



Model	Oil capacity (cc)	Operating pressure (bar)		Put Flow (cc)		Piston dia (mm)		Weight (kg) (except hose & fitting)
		Low	High	Low	High	Low	High	
EJP-1B	800	20	700	13	2.3	28.5	12	7
EJP-2A	2000	20	700	13	2.3	28.5	12	11.5
EJP-3A	3000	20	700	13	2.3	28.5	12	12.5
EJP-3B	10000	30	700	90	15	60	14	26
※EPA-702S	800	20	700	17	3.1	30	12	4
EHPA-1B	800	20	1500	13	1	28	8	7
EHPA-2A	2000	20	1500	13	1	28	8	11.5
EHPA-2C	2000	130	2800	0.5	11.7	28	5.5	6

※EPA model is anodized aluminum pump reservoir and body.

Dimensions (mm)									Model
A	B	C	D	E	F	G	H	I	
470	400	140	161	625	250	270	700	190	EJP-1B
560	500	135	162	650					EJP-2A
586	506	140	180	670					EJP-3A
					250	270	700	190	EJP-3B
500	400	110	160	600	250	270	700	190	EPA-702S
530	440	110	170	650					EHPA-1B
414	510	140	143	624					EHPA-2A
570	454	100	142	653					EHPA-2C